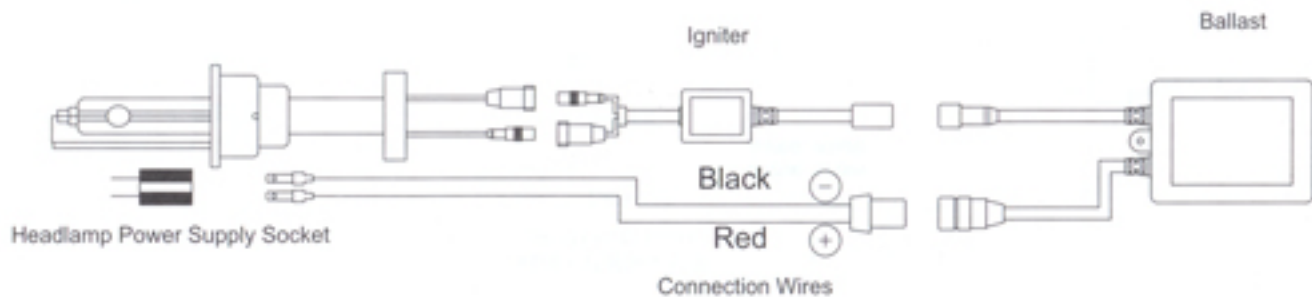


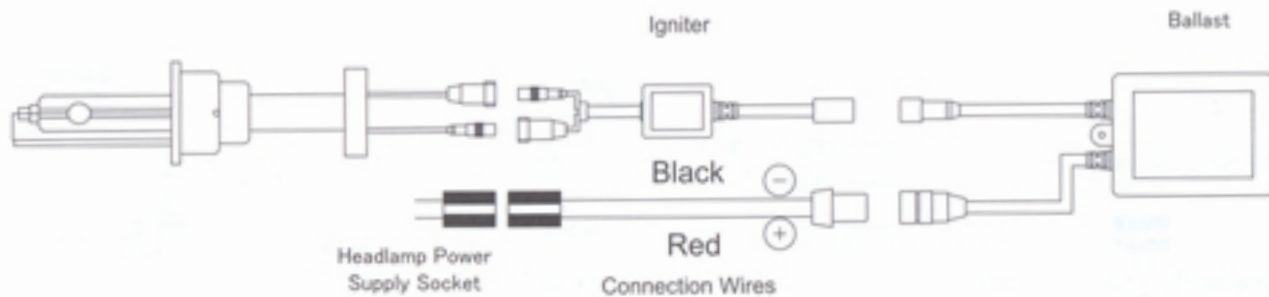


Installation scheme of each model:

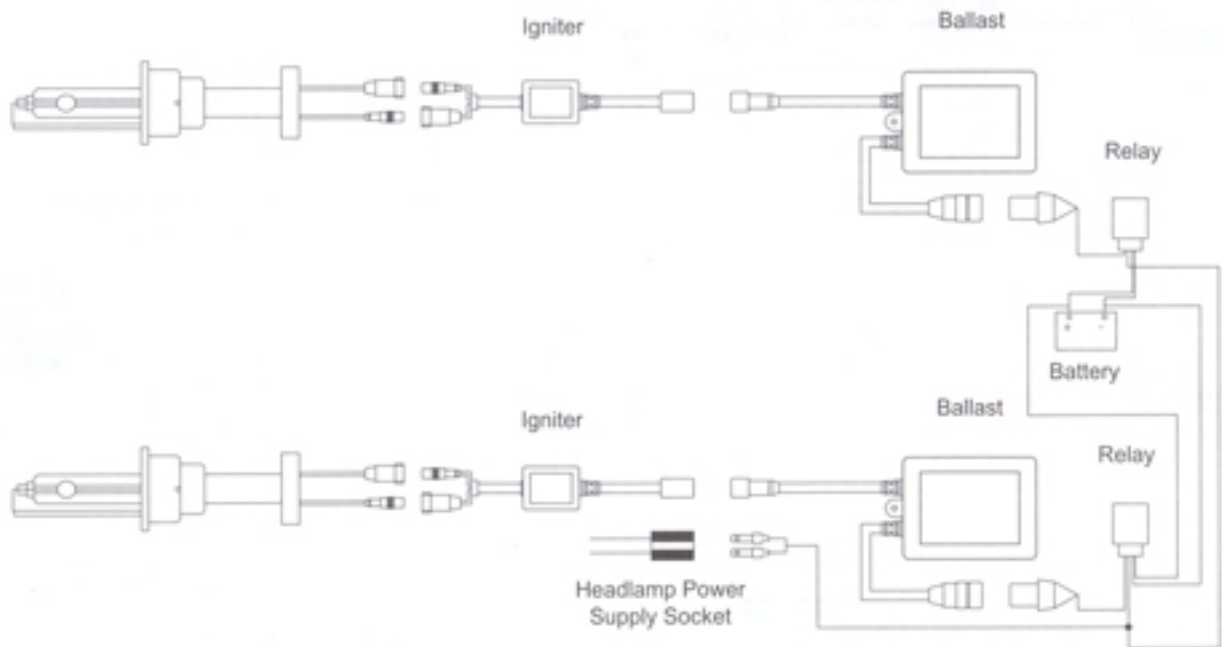
1. H1 H3 H4 H7 H11 H13 TYPE



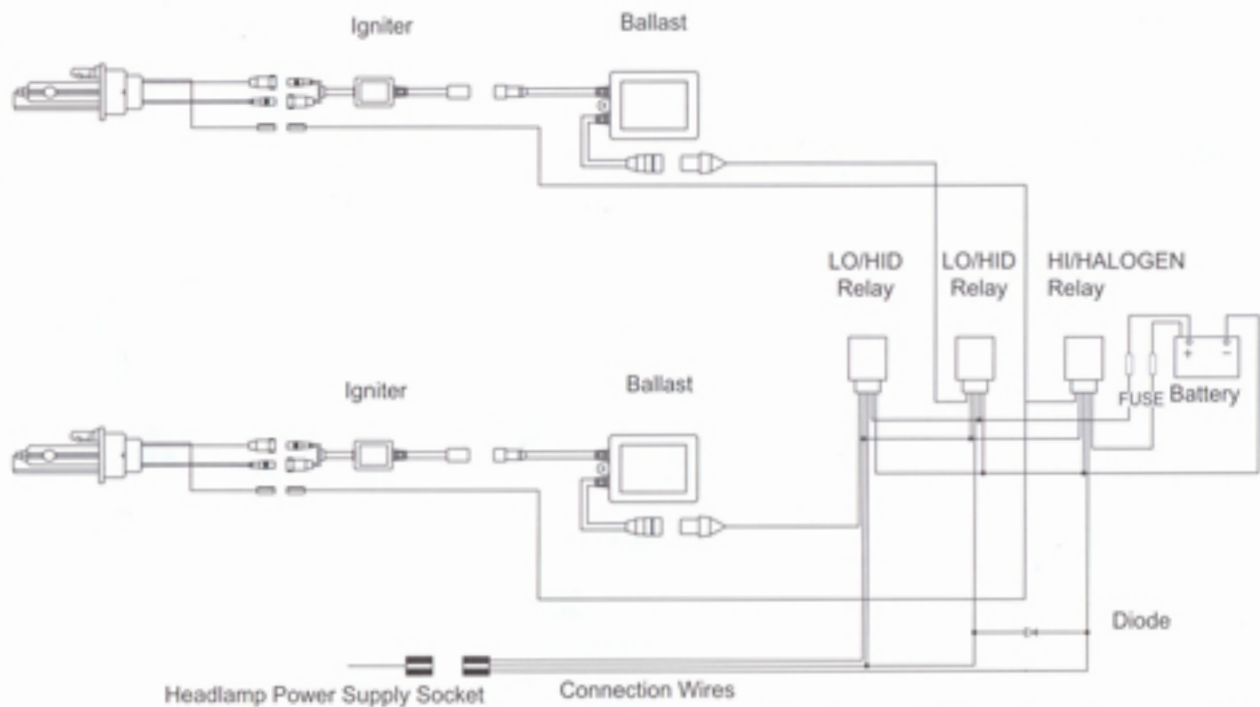
2. 9004 9005 9006 9007 TYPE



3. General Kit Installation Scheme



4. HI/LO Type Upgrade Kit Installation Scheme



If the lamp can't be turned on, please reverse the diode.